



# Illustrated Parts List

## Model Series

# 305400



TYPE NUMBERS  
0005 to 0158, 0165 to 1410.

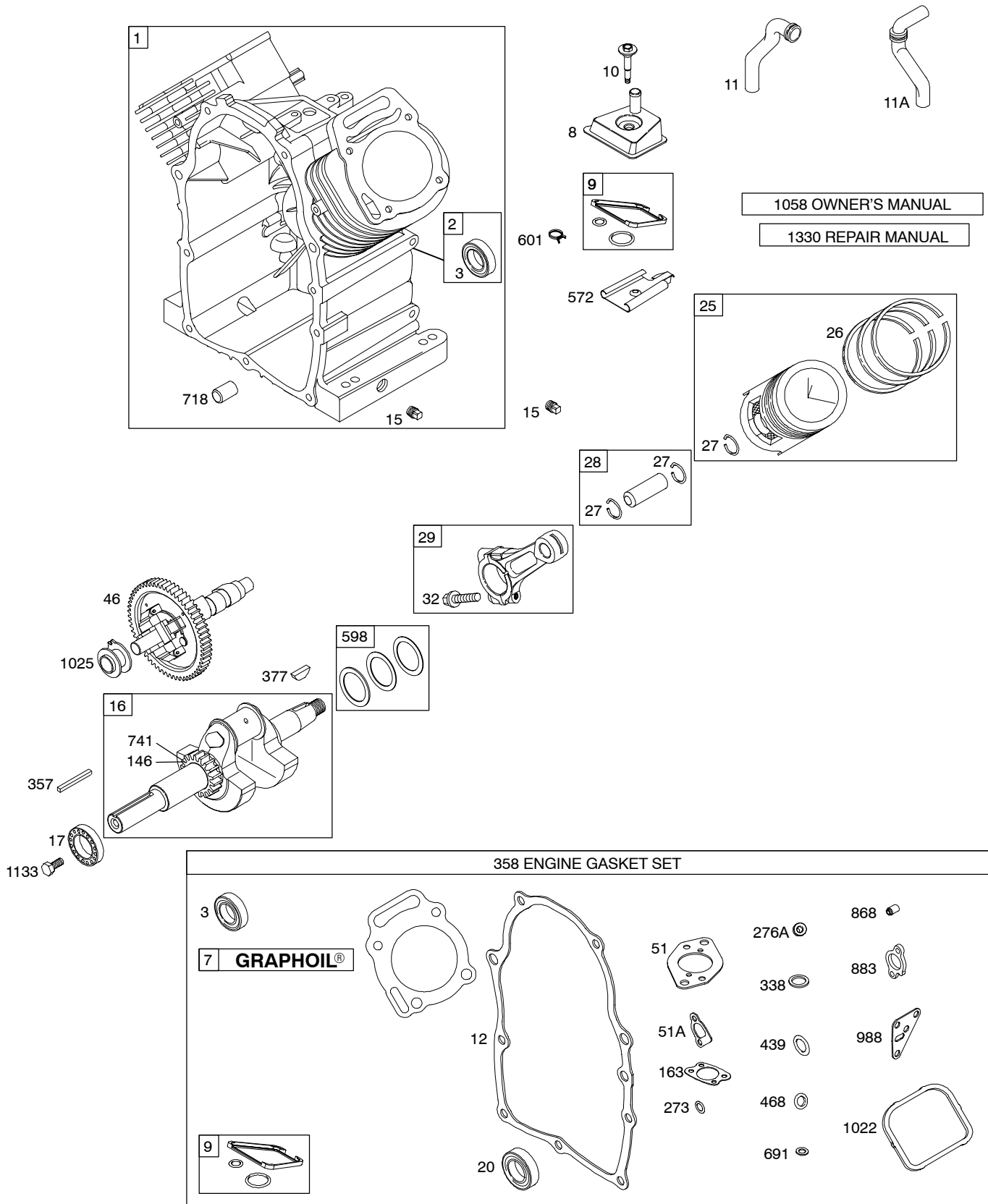
### TABLE OF CONTENTS

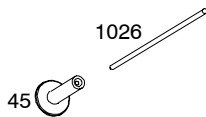
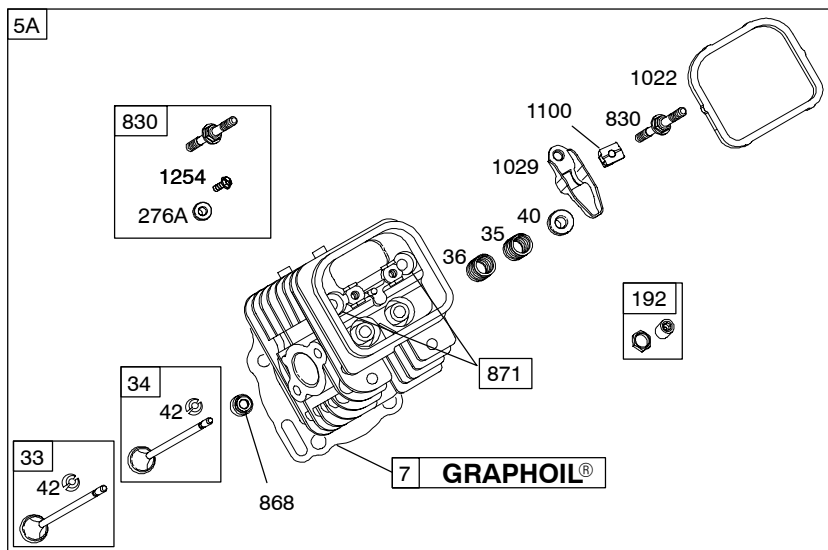
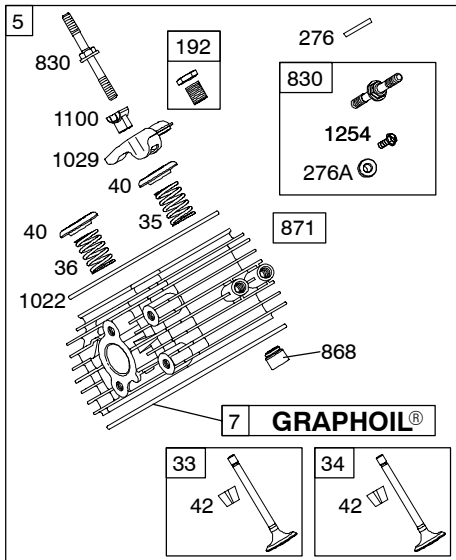
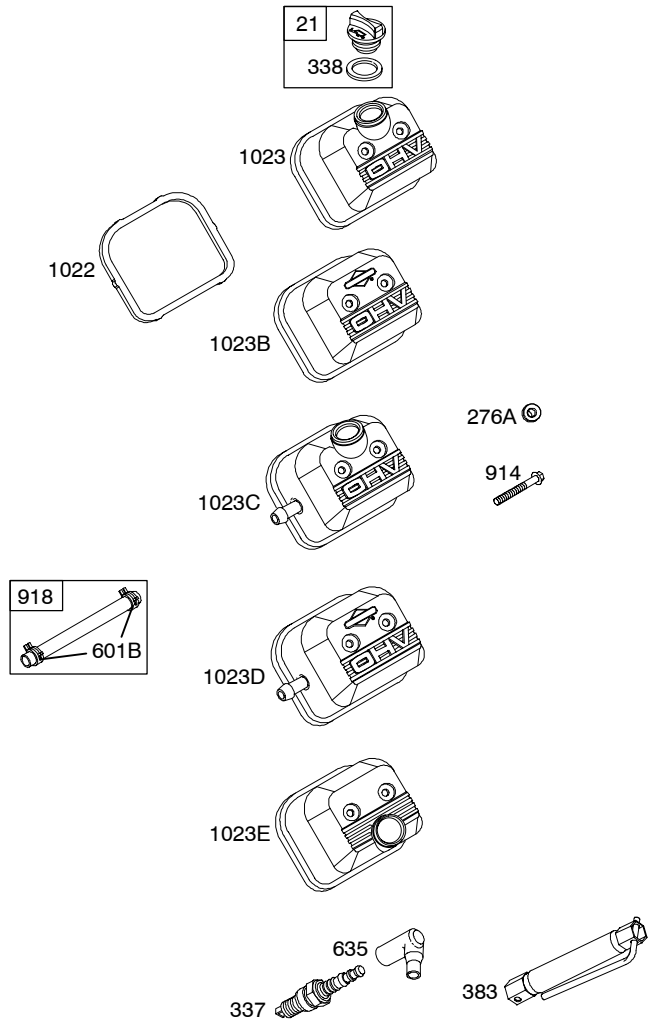
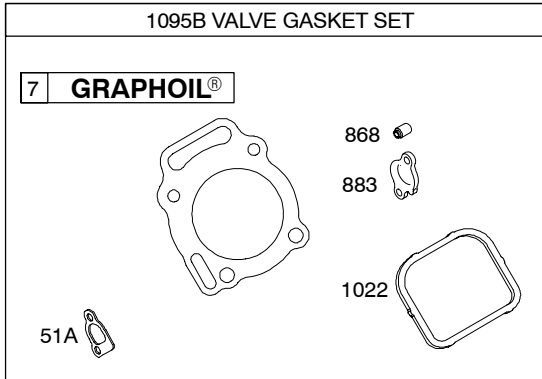
Air Cleaner .....	7
Alternator .....	15
Blower Housing .....	12
Camshaft .....	2
Carburetor .....	6
Controls .....	10
Crankcase Cover .....	4
Crankshaft .....	2
Cylinder .....	2
Cylinder Head .....	3
Electric Starter .....	16
Exhaust System .....	8
Flywheel .....	13
Fuel Supply .....	9
Gasket Set - Engine .....	2
Gasket Set - Valves .....	3
Governor Spring .....	10
Ignition .....	15
Intake Manifold .....	4
Inverter .....	15
Kit-Carburetor Overhaul .....	6
Lubrication .....	5
Piston, Rings, Connecting Rod .....	2
Rewind Starter .....	14
Shrouds .....	11
Valves .....	3

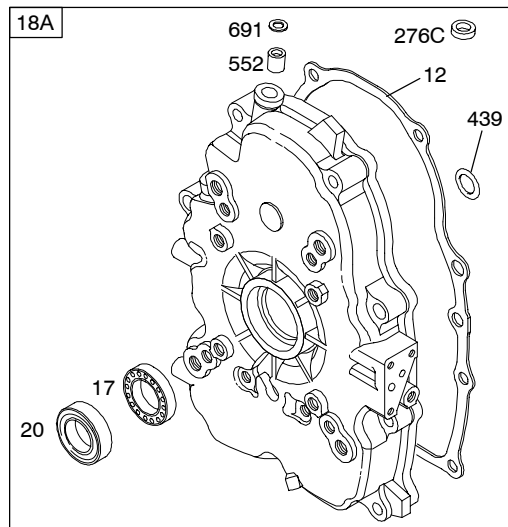
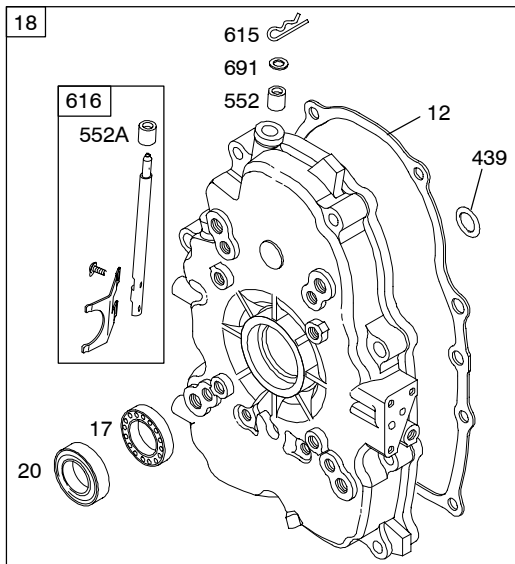
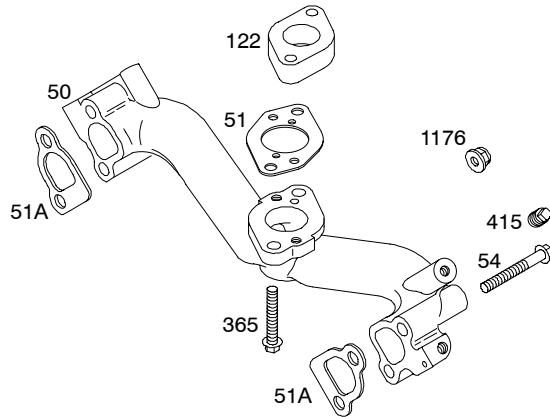
PRINTED IN U.S.A.

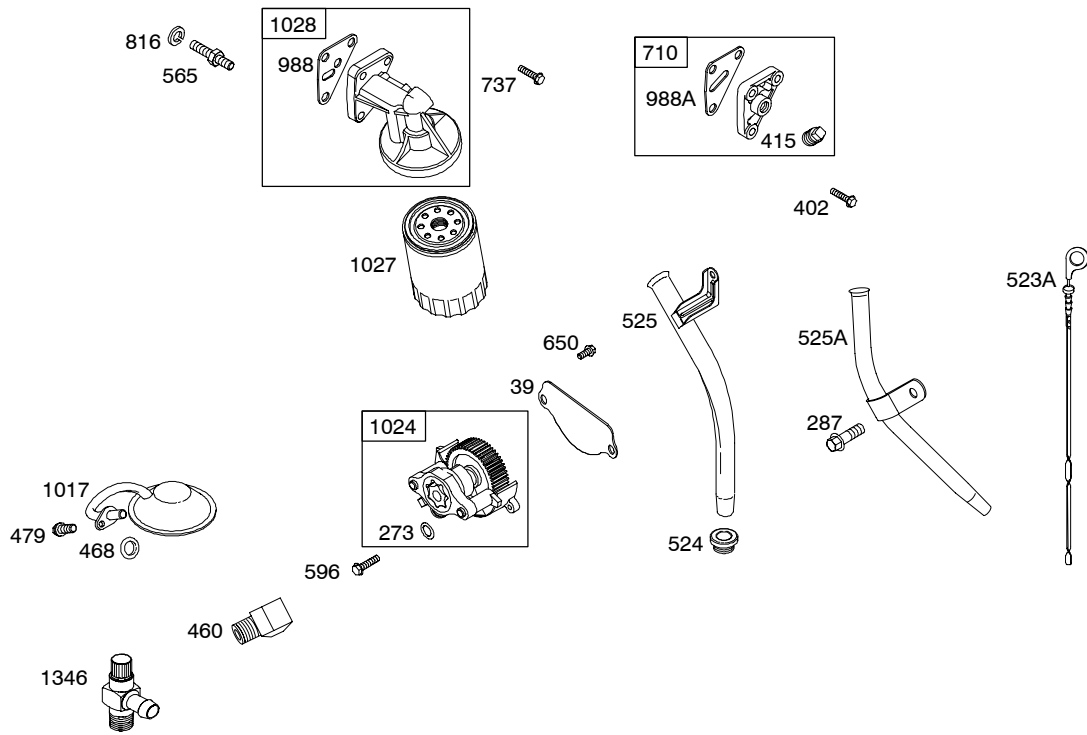


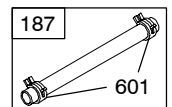
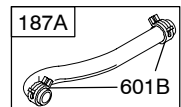
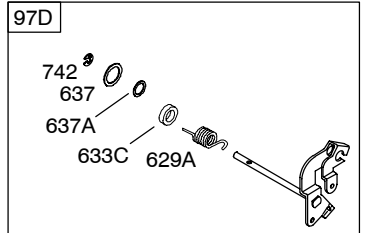
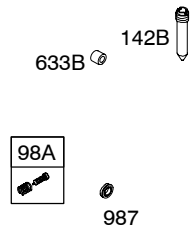
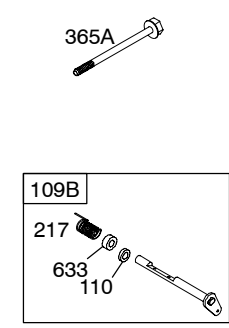
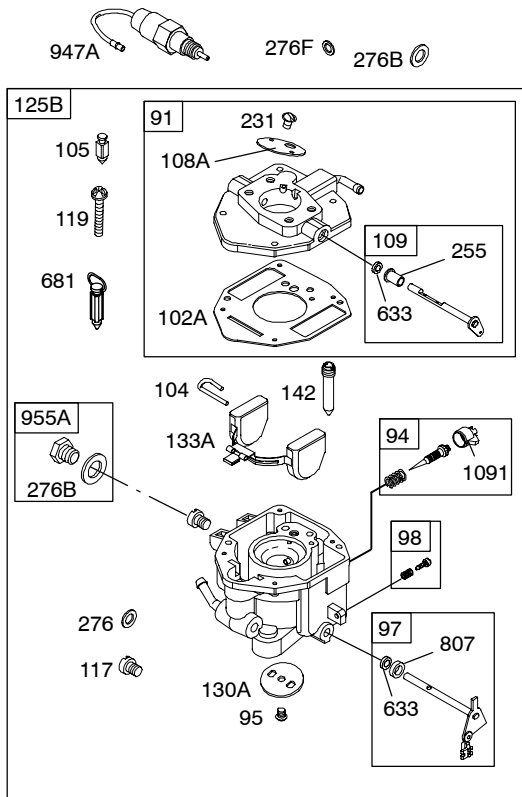
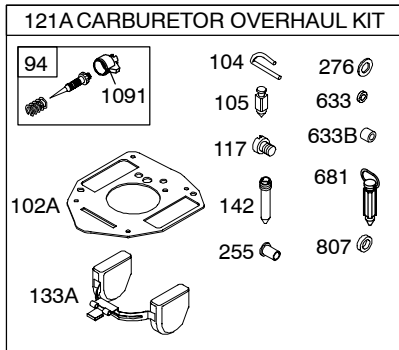
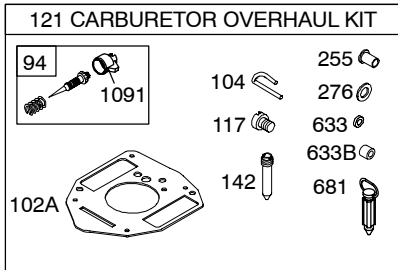
COPYRIGHT by BRIGGS & STRATTON CORPORATION  
All rights reserved. No part of this material may be reproduced or transmitted, in any form or by any means, electronic or mechanical, including photocopying, recording or by any information storage and retrieval system, without permission in writing from Briggs & Stratton Corporation.

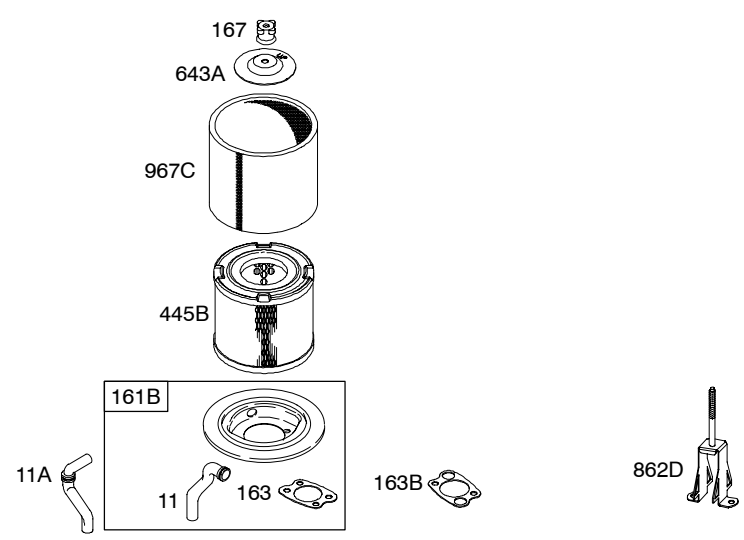
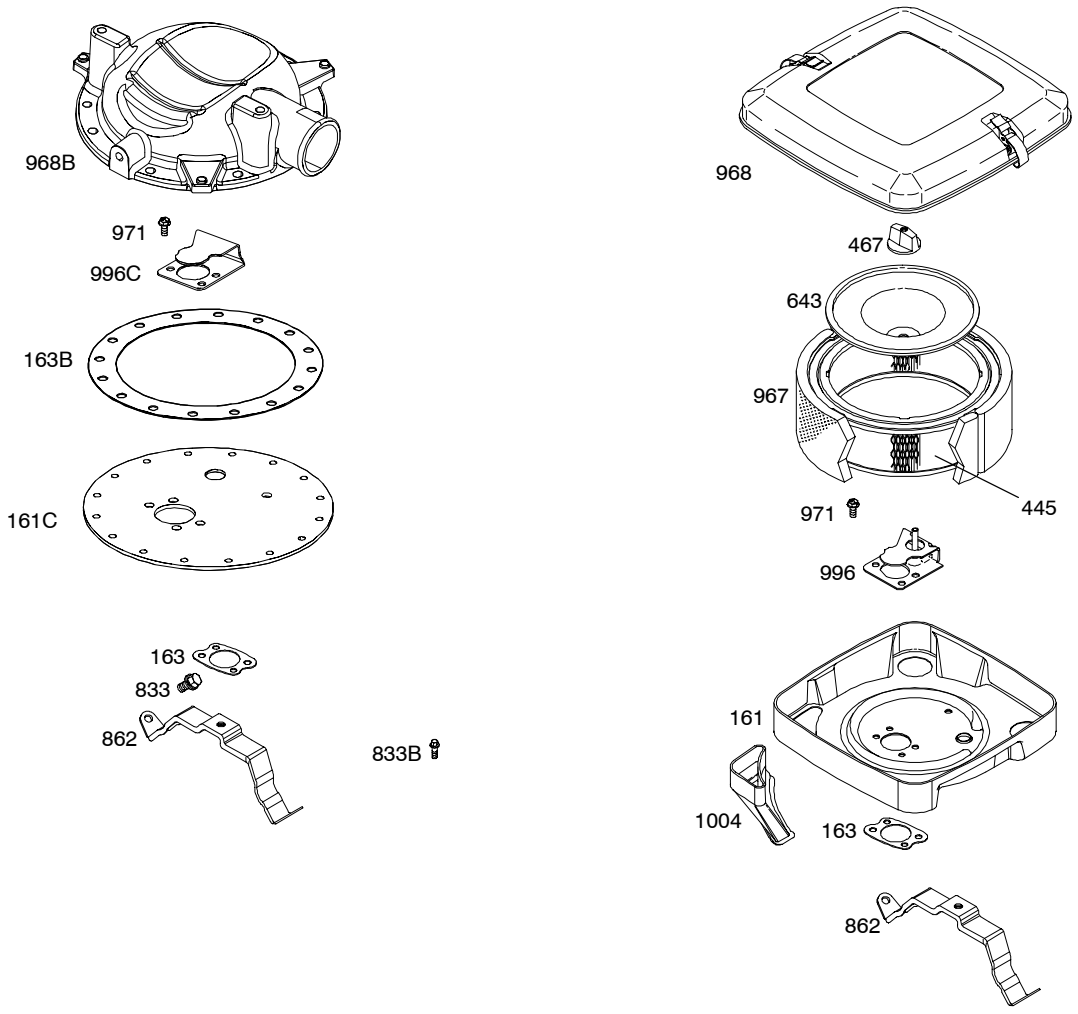


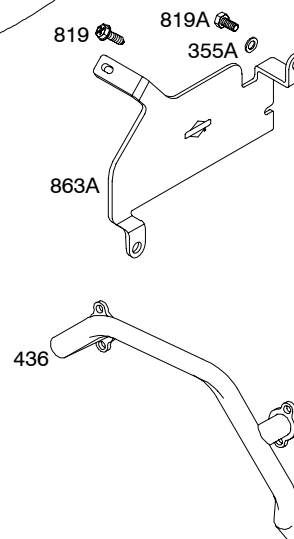
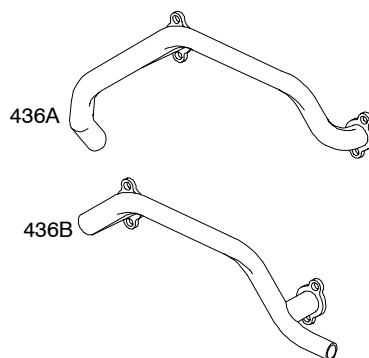
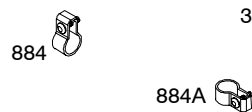
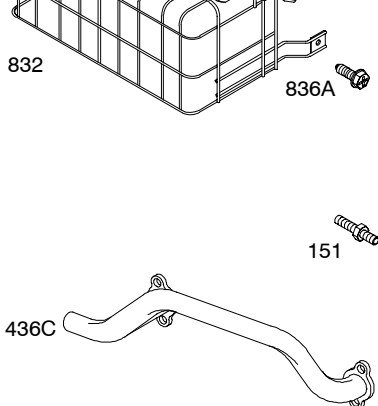
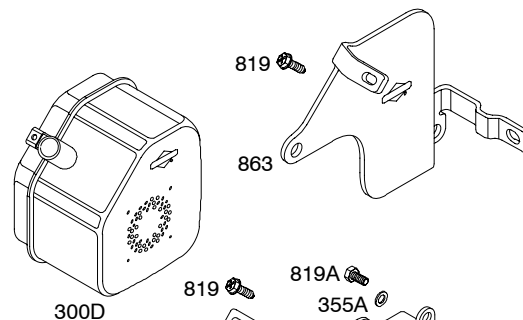
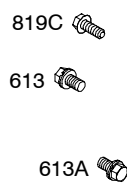
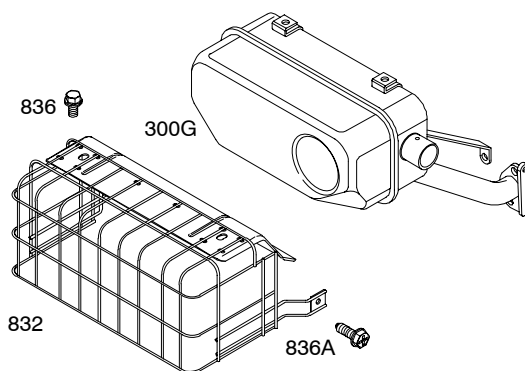
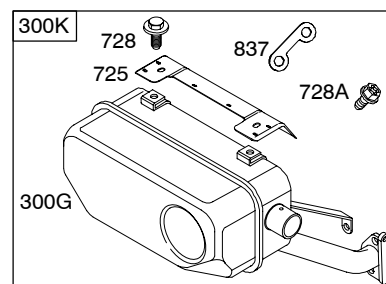
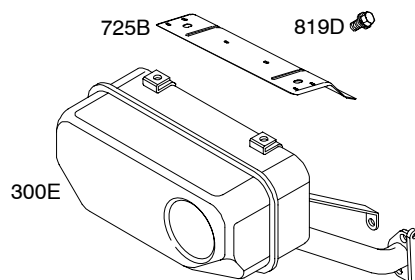
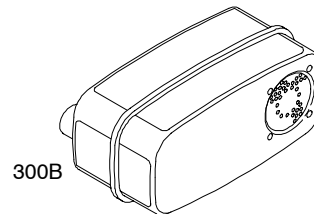
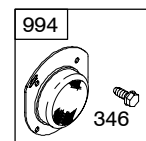
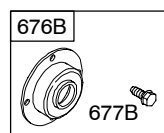
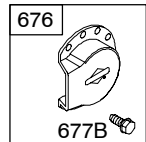
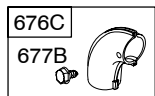






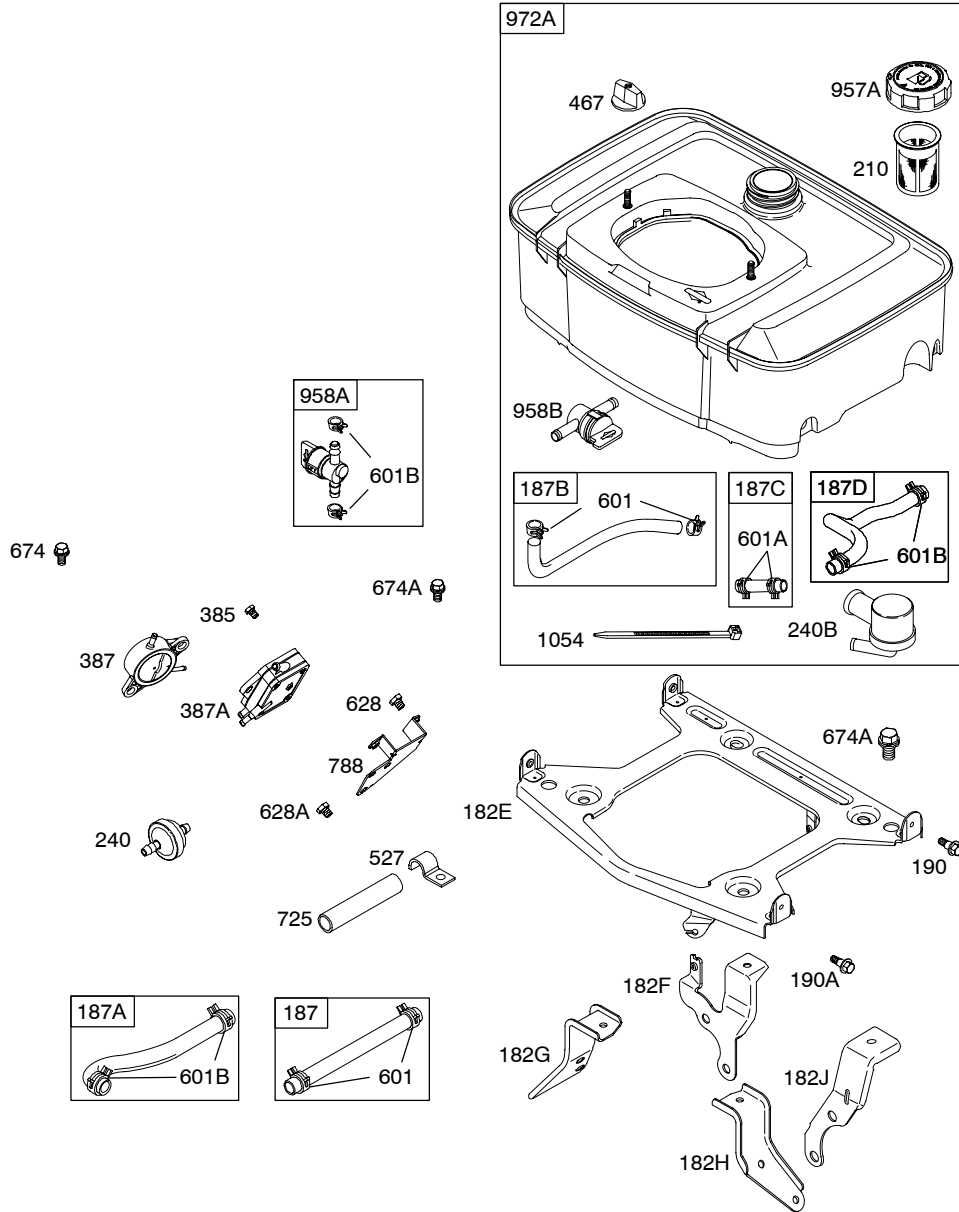


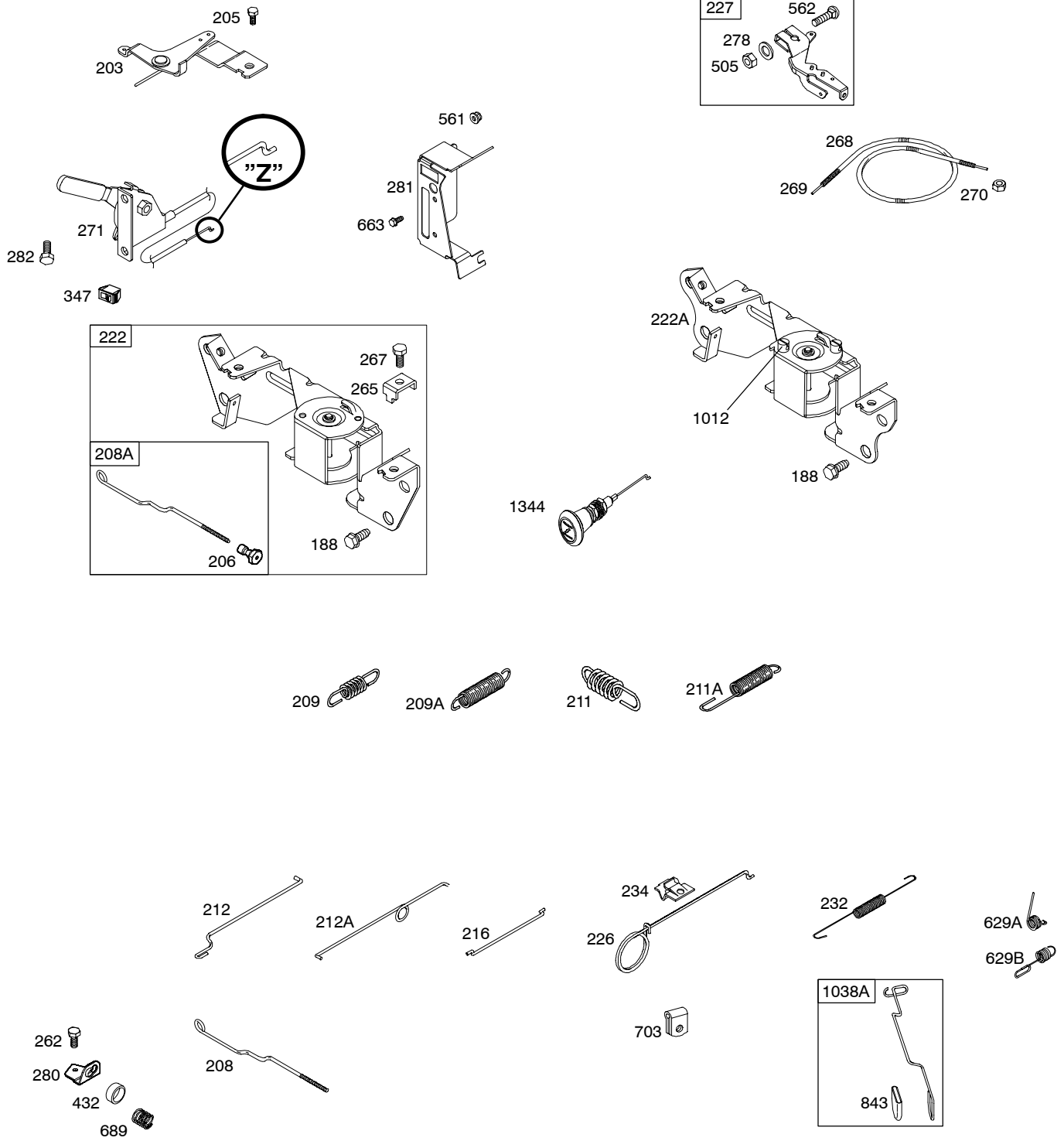


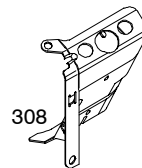
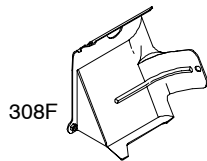
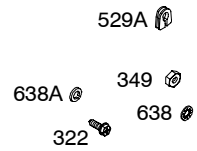
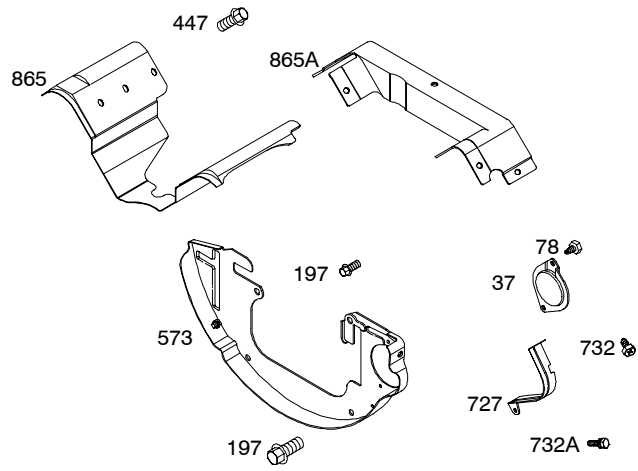




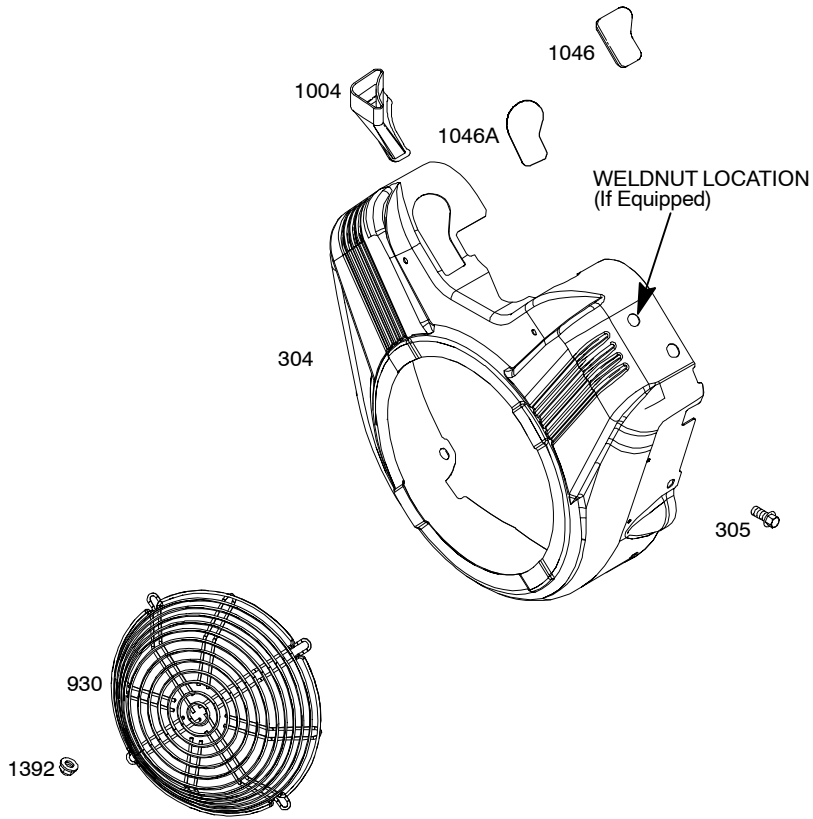
9 QUART

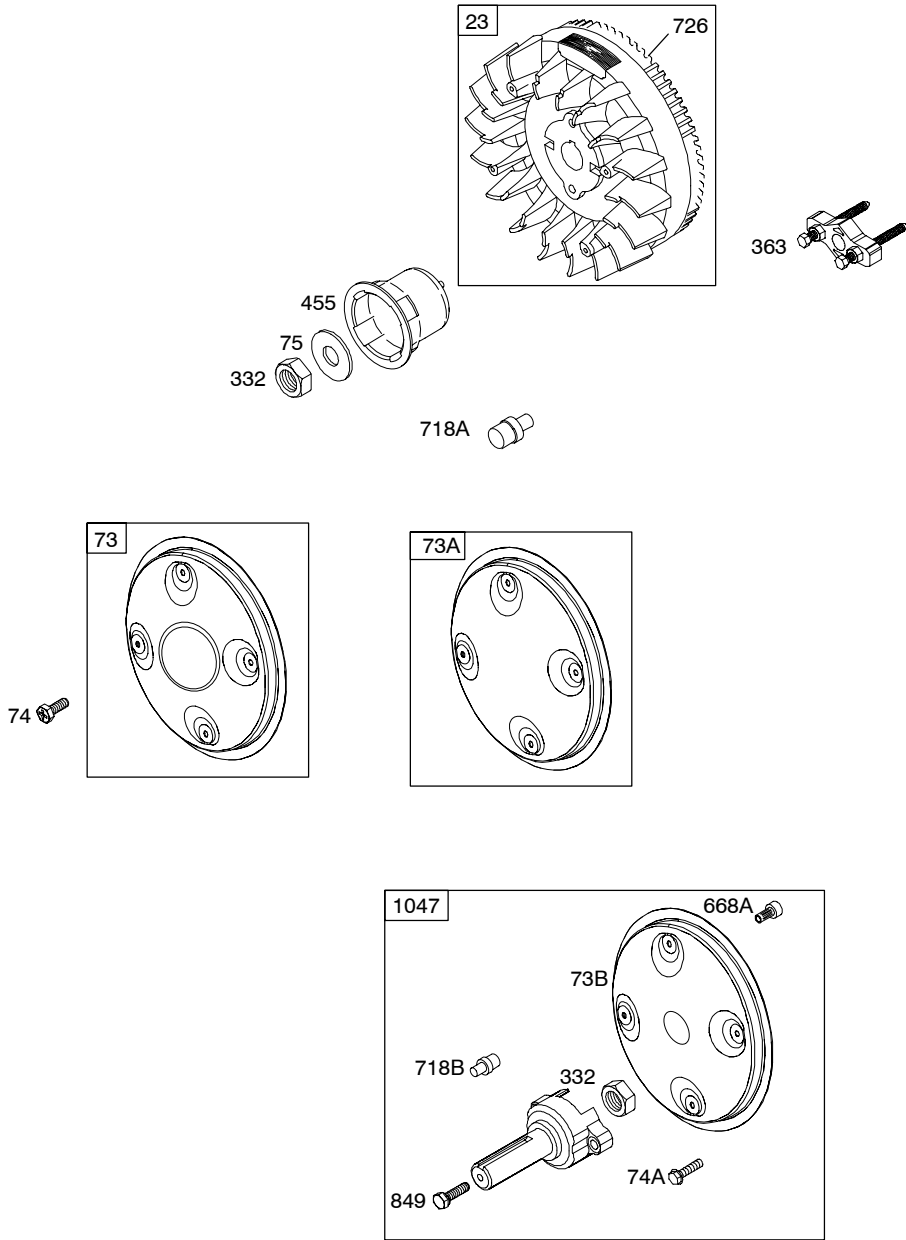


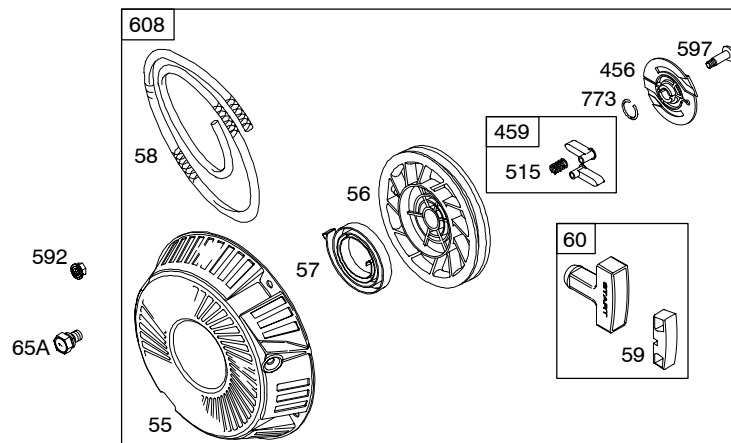


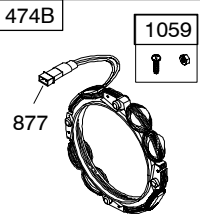
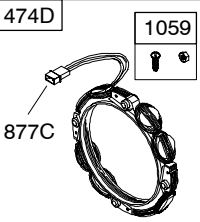
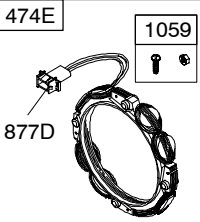
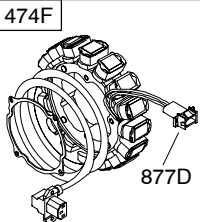

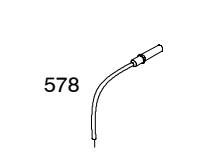
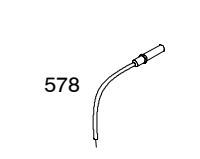
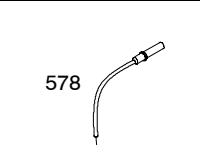




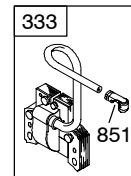
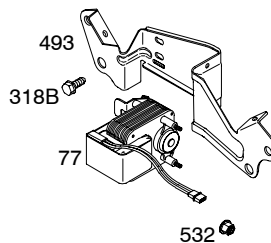
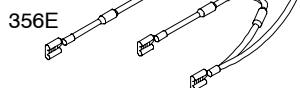
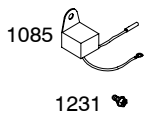
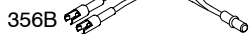
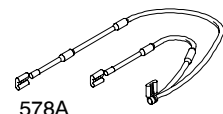
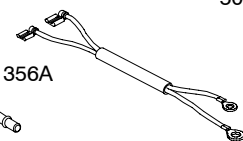
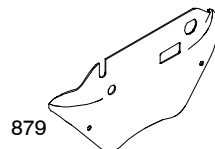
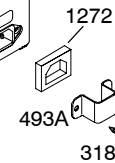
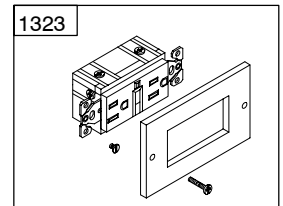
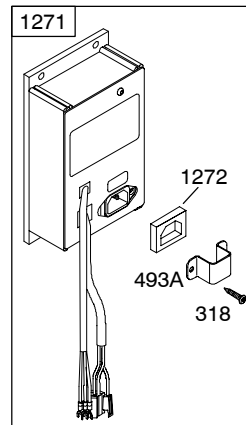
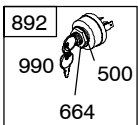
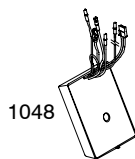
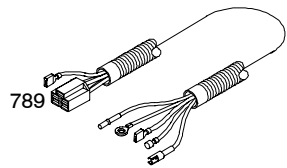
1036 EMISSIONS LABEL

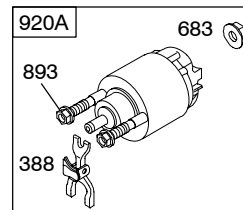
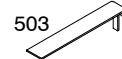
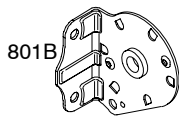
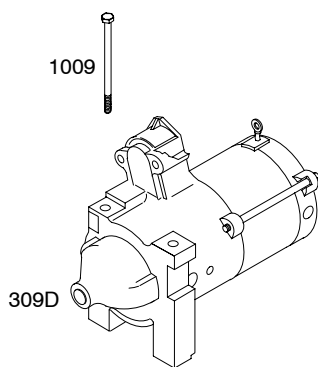
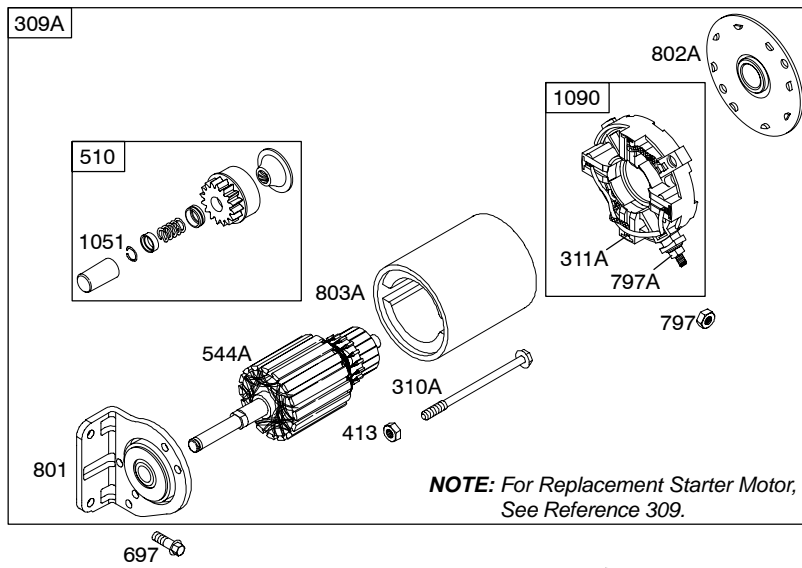
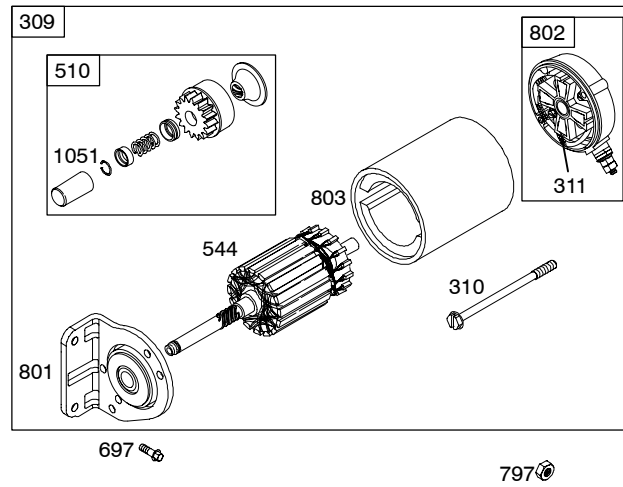






DUAL CIRCUIT	10 - 16 AMP	20 AMP	20 AMP POWER LINK
474B 	474D 	474E 	474F 
878 	578 	578 	578 
<b>NOTE: All stators use a No. 1119 mounting screw.</b>		526 501 	526B 501B 







REF. NO.	PART NO.	DESCRIPTION	REF. NO.	PART NO.	DESCRIPTION	REF. NO.	PART NO.	DESCRIPTION
1	692178	Cylinder Assembly ----- <b>Note</b> ----- <b>841829</b> Cylinder Assembly Used on Type No(s). 0111. <b>841081</b> Cylinder Assembly Used on Type No(s). 0126, 0146.	16	692161	Crankshaft ----- <b>Note</b> ----- <b>692168</b> Crankshaft Used on Type No(s). 0178. <b>692163</b> Crankshaft Used on Type No(s). 0005, 0078, 0112, 0113, 0115, 0116, 0132, 0133, 0145, 0171, 0175, 0197, 1409. <b>808740</b> Crankshaft Used on Type No(s). 0121. <b>808975</b> Crankshaft Used on Type No(s). 0119, 1410. <b>841827</b> Crankshaft Used on Type No(s). 0110, 0111. <b>809212</b> Crankshaft Used on Type No(s). 0172. <b>692162</b> Crankshaft Used on Type No(s). 0077, 0124, 0144, 0192. <b>692165</b> Crankshaft Used on Type No(s). 0169, 0194. <b>692169</b> Crankshaft Used on Type No(s). 0127, 0143.	20	★805049s	Seal-Oil (PTO Side)
2	808534	Kit-Bushing/Seal (Magneto Side)				21	809500	Cap-Oil Fill
3	★805101s	Seal-Oil (Magneto Side)				22	807362	Screw (Crankcase Cover/Sump)
5	809200	Head-Cylinder				23	841825	Flywheel ----- <b>Note</b> ----- <b>841830</b> Flywheel Used on Type No(s). 0111. <b>841908</b> Flywheel Used on Type No(s). 0114, 0121, 0123, 0127, 0156, 1409, 1410. <b>842514</b> Flywheel Used on Type No(s). 0119, 0135, 0139, 0147, 0177, 0180, 0181, 0184, 0186. <b>842515</b> Flywheel Used on Type No(s). 0142. <b>841657</b> Flywheel Used on Type No(s). 0169, 0170, 0194.
5A	809201	Head-Cylinder				25	807619	Piston Assembly (Standard) ----- <b>Note</b> ----- <b>807809</b> Piston Assembly (.020" Oversize)
7★△806085s		Gasket-Cylinder Head				26	807620	Ring Set (Standard) ----- <b>Note</b> ----- <b>807810</b> Ring Set (.020" Oversize)
8	808984	Breather Assembly				27	690683	Lock-Piston Pin
9	★809094	Gasket-Breather				28	807621	Pin-Piston (Standard)
10	690751	Screw (Breather Assembly)				29	807900s	Rod-Connecting (Standard) ----- <b>Note</b> ----- <b>807803</b> Rod-Connecting (.020" Undersize)
11	691556	Tube-Breather						
11A	806083s	Tube-Breather						
12	★691684	Gasket-Crankcase						
13	692059	Screw (Cylinder Head)						
15	690946	Plug-Oil Drain	17	690752	Bearing-Ball ----- <b>Note</b> ----- <b>691541</b> Bearing-Ball Used on Type No(s). 0127, 0143, 0144.			
			18	808847	Cover-Crankcase ----- <b>Note</b> ----- <b>808508</b> Cover-Crankcase Used on Type No(s). 0005, 0145, 1409, 1410.			
			18A	808851	Cover-Crankcase Used on Type No(s). 0127, 0144.			

★ Engine Gasket Set-Reference 358  
● Carburetor Overhaul Kit-Reference 121 or 121A

△ Valve Gasket Set-Reference 1095B

# 305400

REF. NO.	PART NO.	DESCRIPTION	REF. NO.	PART NO.	DESCRIPTION	REF. NO.	PART NO.	DESCRIPTION
32	690698	Screw (Connecting Rod)	74	841441	Screw (Rotating Screen)	98	808177	Kit-Idle Speed
33	807681	Valve-Exhaust	74A	691647	Screw (Rotating Screen)	98A	808981	Kit-Idle Speed
34	807680	Valve-Intake	75	691490	Washer (Flywheel)	102A	●692077	Gasket-Carburetor Body
35	692084	Spring-Valve (Intake)	77	690819	Motor-Servo Used on Type No(s). 0005, 0145.	104	●690723	Pin-Float Hinge
36	692084	Spring-Valve (Exhaust)	78	690688	Screw (Flywheel Guard)	105	805620	Valve-Float Needle Used on Type No(s). 0023, 0027, 0068, 0113, 0114, 0115, 0118, 0120, 0121, 0126, 0127, 0143, 0156, 0172, 0177, 0183, 0190, 0194, 0197.
37	841309	Guard-Flywheel	91	809208	Body-Upper Carburetor	108A	690719	Valve-Choke
39	690745	Deflector-Oil			----- <b>Note</b> -----	109	808398	Shaft-Choke
40	692058	Retainer-Valve			807919 Body-Upper Carburetor	109B	809096	Shaft-Choke
42	807683	Keeper-Valve			Used on Type No(s). 0023, 0027, 0068, 0113, 0114, 0115, 0117, 0118, 0120, 0121, 0123, 0124, 0126, 0127, 0130, 0132, 0139, 0143, 0156, 0172, 0173, 0174, 0175, 0177, 0180, 0183, 0190, 0193, 0194, 0197.	----- <b>Note</b> -----	808962 Shaft-Choke Used on Type No(s). 1409.	
45	690977	Tappet-Valve			808980 Body-Upper Carburetor	110	806861	Washer (Choke Shaft)
46	691557	Camshaft			Used on Type No(s). 1410.	117	●690862	Jet-Main (Standard)
		----- <b>Note</b> -----			842236 Body-Upper Carburetor			----- <b>Note</b> -----
		692157 Camshaft			Used on Type No(s). 1410.			805537 Jet-Main (Standard)
50	690754	Manifold-Intake			842236 Body-Upper Carburetor			Used on Type No(s). 1410.
		----- <b>Note</b> -----			Used on Type No(s). 0119.			842314 Jet-Main (Standard)
		692124 Manifold- Intake			808964 Body-Upper Carburetor			Used on Type No(s). 0110, 0111.
		Used on Type No(s). 1409.			Used on Type No(s). 1409, 1410.			806859 Jet-Main (Standard)
51	691694	Gasket-Intake	94	●808257	Kit-Idle Mixture			Used on Type No(s). 149.
51A	★△692035	Gasket-Intake	95	690718	Screw (Throttle Valve)			
54	690676	Screw (Intake Manifold)	97	809007	Shaft-Throttle			
55	691568	Housing-Rewind Starter			----- <b>Note</b> -----			
56	692085	Pulley-Starter			807495 Shaft-Throttle Used on Type No(s). 0178.			
57	692086	Spring-Rewind Starter	97D	809095	Shaft-Throttle Used on Type No(s). 1409, 1410.			
58	66574	Rope-Starter						
59	805957	Insert-Grip						
60	808167	Grip-Starter Rope						
65A	841233	Screw (Rewind Starter)						
73	841662	Screen-Rotating						
73A	841440	Screen-Rotating						
73B	841582	Screen-Rotating Used on Type No(s). 0154, 0178, 0193.						

★ Engine Gasket Set-Reference 358

● Carburetor Overhaul Kit-Reference 121 or 121A

△ Valve Gasket Set-Reference 1095B

REF. NO.	PART NO.	DESCRIPTION	REF. NO.	PART NO.	DESCRIPTION	REF. NO.	PART NO.	DESCRIPTION			
118	842311	Jet–Main (High Altitude) ----- <b>Note</b> ----- <b>842837</b> Jet–Main (High Altitude) (Over 5000 Feet) Used on Type No(s). 0110, 0111. <b>842838</b> Jet–Main (High Altitude) (6500 Ft.) Used on Type No(s). 0110, 0111. <b>842840</b> Jet–Main (High Altitude) (10,000 Feet) Used on Type No(s). 0110, 0111. <b>842841</b> Jet–Main (High Altitude) (Over 5000 Feet) Used on Type No(s). 0119. <b>842318</b> Jet–Main (High Altitude) (6500 Ft.) Used on Type No(s). 0119. <b>842842</b> Jet–Main (High Altitude) (10,000 Feet) Used on Type No(s). 0119.	119	690720	Screw (Upper To Lower Carburetor Body) ----- <b>Note</b> ----- <b>842761</b> Screw (Upper To Lower Carburetor Body) Used on Type No(s). 0119.	142	●690725	Nozzle–Carburetor (Standard) ----- <b>Note</b> ----- <b>842240</b> Nozzle– Carburetor (Standard) Used on Type No(s). 0119. <b>806860</b> Nozzle– Carburetor (Standard) Used on Type No(s). 1409.			
		121			809020			Kit–Carburetor Overhaul	142B	806987	Nozzle–Carburetor (Standard) Used on Type No(s). 0110, 0111.
								121A			809021
		122			690691				Spacer–Carburetor	151	
								125B	809011		Carburetor ----- <b>Note</b> ----- <b>808979</b> Carburetor Used on Type No(s). 1410. <b>809013</b> Carburetor Used on Type No(s). 0023, 0027, 0068, 0114, 0115, 0118, 0120, 0123, 0124, 0126, 0127, 0130, 0132, 0139, 0143, 0156, 0172, 0173, 0174, 0175, 0180, 0190, 0193. <b>842235</b> Carburetor Used on Type No(s). 0119. <b>841834</b> Carburetor Used on Type No(s). 0110, 0111. <b>842729</b> Carburetor Used on Type No(s). 0178. <b>843129</b> Carburetor (Used After Code Date 06093000). Used on Type No(s). 1409. <b>809152</b> Carburetor (Used Before Code Date 06100100). Used on Type No(s). 1409.
		130A			690726					Valve–Throttle	161B
								133A	806961	Float–Carburetor	
		118A			807012					Jet–Main (High Altitude) (5,000 to 7,500 Feet) Used on Type No(s). 1410. ----- <b>Note</b> ----- <b>807011</b> Jet–Main (High Altitude) (Over 7,500 Feet) Used on Type No(s). 1410. <b>807114</b> Jet–Main (High Altitude) (5000 Ft.) Used on Type No(s). 1409. <b>842311</b> Jet–Main (High Altitude) (8500 Feet) Used on Type No(s). 1409.	163
								163B	841823	Gasket–Air Cleaner	
		167			692297					Seal–Air Cleaner Nut	182E
								182E	841601	Bracket–Fuel Tank	
		182F			691520					Bracket–Fuel Tank	182G
								182G	841600	Bracket–Fuel Tank	
		182H			691524					Bracket–Fuel Tank	182J
182J	691525		Bracket–Fuel Tank								

★ Engine Gasket Set–Reference 358  
● Carburetor Overhaul Kit–Reference 121 or 121A

△ Valve Gasket Set–Reference 1095B

# 305400

REF. NO.	PART NO.	DESCRIPTION	REF. NO.	PART NO.	DESCRIPTION	REF. NO.	PART NO.	DESCRIPTION		
187	791666	Line-Fuel ----- <b>Note</b> ----- 791745 Line-Fuel Used on Type No(s). 0152, 0187.	209	692070	Spring-Governor ----- <b>Note</b> ----- 690716 Spring-Governor Used on Type No(s). 0119, 0135, 0142, 0156.	211A	690707	Spring-Governed Idle Used on Type No(s). 0112, 0113, 0115, 0116, 0117, 0171, 0175, 0197. ----- <b>Note</b> -----		
187A	791744	Line-Fuel ----- <b>Note</b> ----- 791801 Line-Fuel Used on Type No(s). 0169.			692072 Spring-Governor Used on Type No(s). 0154, 0165.	212	690712	Link-Throttle		
187B	692107	Line-Fuel			691507 Spring-Governor Used on Type No(s). 0110, 0111, 0130, 0157, 0172, 0193.	212A	691519	Link-Throttle Used on Type No(s). 0005, 0145.		
187C	692106	Line-Fuel			690710 Spring-Governor Used on Type No(s). 0150.	216	690705	Link-Choke		
187D	692108	Line-Fuel			692071 Spring-Governor Used on Type No(s). 0178, 0209.	217	806862	Spring-Choke Return		
188	692056	Screw (Control Bracket)			691508 Spring-Governor Used on Type No(s). 0152, 0170, 0194.	222	808454	Bracket-Control		
190	692056	Screw (Fuel Tank)			691506 Spring-Governor Used on Type No(s). 0078, 0132, 0133.	222A	691570	Bracket-Control Used on Type No(s). 0110, 0111, 0119, 0142.		
190A	692199	Screw (Fuel Tank)			209A	690709	Spring-Governor Used on Type No(s). 0112, 0113, 0115, 0116, 0171, 0175, 0197.	226	692075	Rod-Hand Choke
192	807623	Adjuster-Rocker Arm			210	691370	Strainer-Fuel	227	690236	Lever-Governor Control
197	807163	Screw (Back Plate)			211	692069	Spring-Governed Idle ----- <b>Note</b> ----- 691505 Spring-Governed Idle Used on Type No(s). 0110, 0111, 0119, 0135, 0157.	231	690718	Screw (Choke Valve)
203	690923	Crank-Bell					691553 Spring-Governed Idle Used on Type No(s). 0142.	232	692073	Spring-Governor Link
205	692083	Screw (Bell Crank)						234	691723	Clip-Control Rod
206	691244	Nut-Governor Adjusting						239	690233	Switch-Oil Pressure ----- <b>Note</b> ----- 697049 Switch-Oil Pressure Used on Type No(s). 0142.
208	691549	Rod-Governor Control						240	691035	Filter-Fuel
208A	808453	Rod-Governor Control						240B	808116s	Filter-Fuel
								255	●690721	Bushing-Choke Shaft
								262	692083	Screw (Rod Bracket)
								265	691024	Clamp-Casing
								267	692083	Screw (Casing Clamp)
								268	691025	Casing-Control Wire (Cut To Required Length)
								269	691026	Wire-Control (Cut To Required Length)
								270	691027	Nut (Control Wire Casing)

★ Engine Gasket Set-Reference 358

● Carburetor Overhaul Kit-Reference 121 or 121A

△ Valve Gasket Set-Reference 1095B

6141-20

Assemblies include all parts shown in frames.

11/01/2006

REF. NO.	PART NO.	DESCRIPTION	REF. NO.	PART NO.	DESCRIPTION	REF. NO.	PART NO.	DESCRIPTION
271	692541	Lever-Control (Cable Wire With "Z" Formed End)	304	842681	Housing-Blower ----- <b>Note</b> ----- <b>842680</b> Housing-Blower	310	496880	Screw (Starter Motor) ----- <b>Note</b> -----
273	690681	Seal-O Ring (Oil Pump)			Used on Type No(s). 0079, 0110, 0111, 0119, 0138, 0142, 0150, 0152, 0153, 0154, 0173, 0178, 0193, 0209, 1409, 1410.			<b>820807</b> Screw (Starter Motor) Used on Type No(s). 0111, 0126, 0146.
276	690724	Washer-Sealing				310A	690323	Screw (Starter Motor)
276A	807085	Washer-Sealing (Head)(Rocker Cover)	305	692062	Screw (Blower Housing)	311	496887	Brush Set
276B	806137	Washer-Sealing (Solenoid)	308	841183	Cover-Cylinder Head (Cylinder 1) ----- <b>Note</b> -----	311A	497608	Brush Set
276C	690704	Washer-Sealing (Crankcase Cover/Sump) Used on Type No(s). 0124, 0127, 0144.			<b>841316</b> Cover-Cylinder Head (Cylinder 2) Used on Type No(s). 0175, 0178, 0193.	318	807130	Screw (Mounting Bracket)
276F	693497	Washer-Sealing Used on Type No(s). 0119.	308F	841182	Cover-Cylinder Head (Cylinder 2) ----- <b>Note</b> -----	318B	690932	Screw (Mounting Bracket) Used on Type No(s). 0005, 0145.
278	842122	Washer (Governor Control Lever)			<b>841317</b> Cover-Cylinder Head (Cylinder 1) Used on Type No(s). 0175, 0178, 0193.	322	692067	Screw (Cylinder Head Cover)
280	691526	Bracket-Rod	309	691564	Motor-Starter	332	690887	Nut (Flywheel)
281	690742	Panel-Control	309A		Motor-Starter (For Replacement Starter Motor, Order Reference 309)	333	492341	Armature-Magneto
282	692083	Screw (Control Lever)	309D	808817	Motor-Starter Used on Type No(s). 0111, 0126, 0146.	334	692066	Screw (Magneto Armature)
287	692062	Screw (Dipstick Tube)				337	491055s	Plug-Spark ----- <b>Note</b> -----
300B	498984s	Muffler Used on Type No(s). 0150, 0151.						<b>496018s</b> Plug-Spark Used on Type No(s). 0119, 0142, 0178.
300D	692099	Muffler Used on Type No(s). 0068, 0121, 0127, 0123, 0124, 0132, 0133, 0135, 0139, 0143, 0144, 0145, 0156, 0172, 0173, 0174, 0196.						<b>792015</b> Plug-Spark Used on Type No(s). 0005, 0027, 0068, 0075, 0077, 0078, 0079, 0112, 0110, 0111, 0113, 0114, 0115, 0116, 0117, 0118, 0146, 0150, 0152, 0153, 0154, 0158, 0165, 0169, 0170, 0172, 0174, 0175, 0190, 0192, 0193, 0194, 0197, 0209, 1409, 1410.
300E	690906	Muffler Used on Type No(s). 0147, 0152, 0154, 0165, 0168, 0184, 0189, 0190, 0197. ----- <b>Note</b> -----						
300G	691562	Muffler Used on Type No(s). 0194, 1410.						
300K	808379	Muffler Used on Type No(s). 0194, 1410.						

★ Engine Gasket Set-Reference 358  
● Carburetor Overhaul Kit-Reference 121 or 121A

△ Valve Gasket Set-Reference 1095B

# 305400

REF. NO.	PART NO.	DESCRIPTION	REF. NO.	PART NO.	DESCRIPTION	REF. NO.	PART NO.	DESCRIPTION
338	★691312	Gasket-Dipstick	436	692061	Manifold-Exhaust	479	807084	Screw
346	690661	Screw	436A	691499	Manifold-Exhaust			(Oil Pump Screen)
		(Spark Arrestor)	436B	691501	Manifold-Exhaust			----- <b>Note</b> -----
347	691995	Switch-Rocker			Used on Type No(s).			<b>692537</b> Screw
349	690238	Nut			0150, 0158.			(Oil Pump Screen)
		(Cylinder Head Cover)	436C	691502	Manifold-Exhaust			Used on Type No(s).
355A	690944	Washer			Used on Type No(s).			0005, 0145, 1409,
		(Muffler Bracket)			0151.			1410.
356	690796	Wire-Stop	437	691902	Screw	493	691518	Bracket-Mounting
356A	690809	Wire-Stop			(Exhaust Manifold)			Used on Type No(s).
356B	692961	Wire-Stop	439	★692154	Seal-O Ring			0005, 0145.
		Used on Type No(s).			(Crankcase	493A	698024	Bracket-Mounting
		0005, 0145.			Cover/Sump)	500	691086	Washer
356E	691999	Wire-Stop	445	394018s	Filter-Air Cleaner			(Key Switch)
357	691483	Key-Drive Pulley			Cartridge	501	691185	Regulator
358	841188	Gasket Set-Engine	445B	393957s	Filter-Air Cleaner			----- <b>Note</b> -----
359	691077	Washer			Cartridge			<b>493219</b> Regulator
		(Ground Terminal)			----- <b>Note</b> -----			Used on Type No(s).
363	19203	Puller-Flywheel			Filter-Air Cleaner			0117, 0118.
365	690711	Screw			Cartridge			<b>841170</b> Regulator
		(Carburetor)			(Supplied By O.E.M.)			Used on Type No(s).
365A	690866	Screw			Used on Type No(s).			0142.
		(Carburetor)	447	841233	Screw	501B	691573	Regulator
373	691612	Nut			(Air Guide Cover)			Used on Type No(s).
		(Ground Terminal)	455	841794	Cup-Flywheel			0119, 0135, 0139,
377	808095	Key-Woodruff	456	691529	Plate-Pawl Friction			0142, 0147, 0177,
383	19374s	Wrench-Spark Plug	459	808166	Pawl-Ratchet			0181, 0184, 0186.
		----- <b>Note</b> -----	460	806667	Connector-Filter	503	691532	Strap-Starter
		<b>19576s</b> Wrench-Spark			Adapter	505	690238	Nut
		Plug	467	691985	Knob-Air Cleaner			(Governor Control
		Used on Type No(s).	468	★690690	Seal-O Ring			Lever)
		0152, 0153.			(Oil Pump Screen)	506	807120	Screw
385	807084	Screw	474B	696459	Alternator			(Carburetor Cover)
		(Fuel Pump)			(Dual Circuit)	507	691972	Insulator
387	808656	Pump-Fuel	474D	696458	Alternator	510	496881	Drive-Starter
387A	808969	Pump-Fuel			(16 Amp Regulated)	515	691528	Spring-Pawl
		Used on Type No(s).	474E	696579	Alternator	520	691084	Terminal-Ground
		0178.			(20 Amp)	522	491832	Plug-Dipstick/Fill
388	820799	Lever-Pinion Drive			Used on Type No(s).	523A	693175	Dipstick
402	690679	Screw			0119, 0135, 0139,	524	693172	Seal-Dipstick Tube
		(Oil Filter Cover)			0147, 0177, 0181,	525	693174	Tube-Dipstick
413	693587	Nut	474F	841833	Alternator	525A	693173	Tube-Dipstick
		(Starter Motor)			----- <b>Note</b> -----			
415	690283	Plug			<b>841178</b> Alternator			
432	691509	Cap-Spring			(20-50 Amp)			
					Used on Type No(s).			
					0142.			

★ Engine Gasket Set-Reference 358

● Carburetor Overhaul Kit-Reference 121 or 121A

△ Valve Gasket Set-Reference 1095B

REF. NO.	PART NO.	DESCRIPTION	REF. NO.	PART NO.	DESCRIPTION	REF. NO.	PART NO.	DESCRIPTION
526	692067	Screw (Regulator)	577	690795	Cable–Starter	637	806999	Washer (Throttle Shaft)
526B	691547	Screw (Regulator) Used on Type No(s). 0119, 0135, 0139, 0142, 0147, 0177, 0181, 0184, 0186.	578	692306	Wire Assembly	637A	807000	Washer (Throttle Shaft)
527	690423	Clamp–Tube	578A	692319	Wire Assembly	638	691551	Washer (Cylinder Head Cover)
529	690744	Grommet	578B	691377	Wire Assembly Used on Type No(s). 0005, 0145.	638A	690706	Washer (Cylinder Head Cover)
529A	691527	Grommet	592	690939	Nut (Rewind Starter)	643	692079	Retainer–Air Filter
532	691115	Nut (Mounting Bracket) Used on Type No(s). 0005, 0145.	596	691492	Screw (Oil Pump)	643A	690447	Retainer–Air Filter
544		Armature–Starter (For Replacement Armature, Order Reference 309)	597	690876	Screw (Pawl Friction Plate)	650	692539	Screw (Oil Deflector)
544A		Armature–Starter (For Replacement Armature, Order Reference 309)	598	807625	Shim–End Play (Crankshaft or Camshaft Bearing)	663	692083	Screw (Control Panel)
552	690701	Bushing–Governor Crank	601	691038	Clamp–Hose	664	691087	Nut (Key Switch)
552A	806686	Bushing–Governor Crank	601A	691522	Clamp–Hose	668A	691500	Spacer
555	692067	Screw (Starter Solenoid)	601B	791850	Clamp–Hose	674	692062	Screw (Fuel Tank Bracket)
561	690713	Nut (Control Lever)	608	841729	Starter–Rewind	674A	692056	Screw (Fuel Tank Bracket)
562	690239	Bolt (Governor Control Lever)	613	691902	Screw (Muffler)	676	393761	Deflector–Muffler Used on Type No(s). 0127, 0143, 0144, 0145, 0150, 0151, 0173.
565	690682	Stud (Oil Filter Adapter)	613A	692067	Screw (Muffler)	676B	396903	Deflector–Muffler
572	690686	Baffle–Breather	615	691550	Retainer–Governor Shaft	676C	495518	Deflector–Muffler
573	841310	Plate–Back ----- <b>Note</b> ----- 841311 Plate–Back Used on Type No(s). 0111. 841127 Plate–Back Used on Type No(s). 0126, 0146. 841314 Plate–Back Used on Type No(s). 0142.	616	806685	Crank–Governor	677B	690661	Screw (Muffler Deflector)
			628	806660	Screw (Fuel Pump Bracket)	681	●808798	Kit–Needle/Seat
			629A	807004	Spring–Throttle Return ----- <b>Note</b> ----- 806716 Spring– Throttle Return Used on Type No(s). 0005, 0145.	683	691029	Nut (Starter Solenoid)
			629B	806717	Spring–Throttle Return Used on Type No(s). 0005, 0145.	689	691272	Spring–Friction
			633	●806131	Seal–Choke/Throttle Shaft	691	★690680	Seal–Governor Shaft
			633B	690722	Seal–Choke/Throttle Shaft	697	692062	Screw (Drive Cap)
			633C	807003	Seal–Choke/Throttle Shaft Used on Type No(s). 1409, 1410.	703	807116	Clip
			635	692076	Boot–Spark Plug	710	807689	Cover–Oil Filter
						718	806469	Pin–Locating
						718A	690740	Pin–Locating (28MM)
						718B	841581	Pin–Locating (32MM)
						725	280866	Shield–Heat
						725B	691498	Shield–Heat Used on Type No(s). 0154, 0184, 0197.

★ Engine Gasket Set–Reference 358

● Carburetor Overhaul Kit–Reference 121 or 121A

△ Valve Gasket Set–Reference 1095B

# 305400

REF. NO.	PART NO.	DESCRIPTION	REF. NO.	PART NO.	DESCRIPTION	REF. NO.	PART NO.	DESCRIPTION
726		Gear-Ring (Steel)(See Reference 23 for Service)	803	690854	Housing-Starter ----- <b>Note</b> ----- <b>820783</b> Housing-Starter	863	691513	Bracket-Muffler
727	841313	Cover-Starter Drive			Used on Type No(s). 0111, 0126, 0146.	863A	690756	Bracket-Muffler Used on Type No(s). 0127, 0156.
728	691514	Screw (Heat Shield)				865	807119	Cover-Air Guide
728A	692067	Screw (Heat Shield)	803A	693547	Housing-Starter	865A	841319	Cover-Air Guide (Aluminum) Used on Type No(s). 0178.
729	690586	Clip-Wire	807	805557	Spacer-Throttle			
732	690688	Screw (Starter Drive Cover)	813	690635	Clamp	868	★△691963	Seal-Valve
732A	841233	Screw (Starter Drive Cover)	816	690706	Washer (Oil Filter Adapter)	871	692057	Bushing-Valve Guide
737	690679	Screw (Oil Filter Adapter)	819	692056	Screw (Muffler Bracket)	877	393456	Wire/Connector- Alternator
741	691530	Gear-Timing	819A	690943	Screw (Muffler Bracket)	877C	399916	Wire/Connector- Alternator
742	807001	Retainer-E Ring	819C	692067	Screw (Muffler Bracket) Used on Type No(s). 0127, 0156.	877D	698092	Wire/Connector- Alternator
773	690875	Retainer	819D	692062	Screw (Muffler Bracket) Used on Type No(s). 0165.	878	398661	Harness-Alternator
774	692067	Screw (Stop Wire)				879	842123	Cover-Carburetor ----- <b>Note</b> -----
788	691559	Bracket-Fuel Pump						<b>842269</b> Cover- Carburetor Used on Type No(s). 0142, 0150, 0151, 0152, 0154, 0165, 0169, 0187, 0189, 0191, 0209.
789	691996	Harness-Wiring ----- <b>Note</b> ----- <b>691578</b> Harness- Wiring Used on Type No(s). 0119, 0135, 0139, 0147, 0181, 0184, 0186. <b>841318</b> Harness- Wiring Used on Type No(s). 0126, 0146.	830	809157	Stud-Rocker Arm	879A	807460	Cover-Carburetor ----- <b>Note</b> -----
			832	691571	Guard-Muffler			<b>842124</b> Cover- Carburetor Used on Type No(s). 0005, 0075, 0077, 0078, 0116, 0130, 0132, 0133, 0135, 0139, 0144, 0145, 0146, 0147, 0168, 0181, 0184, 0186, 0192.
			833	807084	Screw (Air Cleaner Mounting Strap/Stud)			
			833B	691593	Screw (Air Cleaner Mounting Strap/Stud)			
			836	691514	Screw (Muffler Guard)			
797	691029	Nut (Brush Retainer)	836A	692067	Screw (Muffler Guard)	883	★△691613	Gasket-Exhaust
797A	693167	Nut (Brush Retainer)	837	808085	Spacer-Muffler	884	690898	Clamp-Muffler
801	808778	Cap-Drive	843	691322	Sleeve-Lever	884A	691956	Clamp-Muffler Used on Type No(s). 0150, 0151, 0158, 0165.
801B	691283	Cap-Drive	849	691088	Screw (Stub Shaft)			
802	496813	Cap-End	851	493880s	Terminal-Spark Plug			
802A	691286	Cap-End	862	692153	Strap/Stud-Air Cleaner Mounting			
			862D	691565	Strap/Stud-Air Cleaner Mounting			

★ Engine Gasket Set-Reference 358

● Carburetor Overhaul Kit-Reference 121 or 121A

△ Valve Gasket Set-Reference 1095B



REF. NO.	PART NO.	DESCRIPTION	REF. NO.	PART NO.	DESCRIPTION	REF. NO.	PART NO.	DESCRIPTION
892	692318	Switch-Key	987	807002	Seal-Throttle Shaft	1038A	691567	Rod-Fuel Shut Off
893	820805	Nut (Starter Solenoid)	988	★692063	Gasket-Oil Adapter	1046	692082	Plug-Blower Housing
899	691077	Washer (Starter Solenoid)	988A	690687	Gasket-Oil Adapter Used on Type No(s). 0123, 0124, 0144, 0152, 0175, 0196.	1046A	843068	Plug-Blower Housing
914	807120	Screw (Rocker Cover)	990	691959	Key Set	1047	841580	Shaft-Stub
918	393815	Hose-Vacuum	994	392390	Arrestor-Spark	1048	690669	Module-Electronic Governor Used on Type No(s). 0005, 0145.
920	691656	Solenoid-Starter	996	691577	Shield-Carburetor	1051	691124	Ring-Retaining
920A	825418	Solenoid-Starter	996C	841826	Shield-Carburetor	1054	280275	Tie-Cable
927	691116	Screw (Electronic Governor Module) Used on Type No(s). 0005, 0145.	1004	841656	Duct-Air	1058	276343	Operator's Manual
930	841490	Guard-Rewind Used on Type No(s). 0132, 0151, 0184, 0189.	1009	806474	Screw (Starter Motor)	1059	698516	Kit-Screw/Washer
947A	692094	Solenoid-Fuel ----- Note ----- 842239 Solenoid-Fuel Used on Type No(s). 0119.	1012	690592	Retainer-Link	1085	809093	Module-Ignition
955A	807723	Plug-Carburetor ----- Note ----- 808176 Plug-Carburetor Used on Type No(s). 0110, 0111, 0119.	1017	690900	Screen-Oil Pump	1090	691293	Retainer-Brush ----- Note ----- 825412 Retainer-Brush Used on Type No(s). 0111, 0126, 0146.
957A	493988s	Cap-Fuel Tank (Plastic)	1022★△806039s	806039s	Gasket-Rocker Cover	1091	●691516	Cap-Limiter
958A	698183	Valve-Fuel Shut Off (Plastic) Used on Type No(s). 0169, 0170.	1023	690758	Cover-Rocker	1095B	842723	Gasket Set-Valve
958B	692008	Valve-Fuel Shut Off (Plastic)	1023B	691494	Cover-Rocker	1100	791959	Pivot-Rocker Arm
967	272490s	Filter-Pre Cleaner	1023C	690910	Cover-Rocker	1119	691552	Screw (Alternator) ----- Note ----- 841835 Screw (Alternator) Used on Type No(s). 0111.
967C	271794s	Filter-Pre Cleaner	1023D	691558	Cover-Rocker	1133	690342	Screw (Crankshaft)
968	699959	Cover-Air Cleaner	1023E	691531	Cover-Rocker (Used On Engines Equipped With 9 Quart Fuel Tanks)	1176	842067	Nut (Exhaust Manifold)
968B	841822	Cover-Air Cleaner Used on Type No(s). 0110, 0111, 0119.	1024	693185	Pump-Oil	1231	692067	Screw (Ignition Module)
971	807084	Screw (Air Cleaner Base to Carburetor)	1025	690689	Spool-Governor	1254	807084	Screw (Rocker Cover Stud)
972A	690663	Tank-Fuel (Plastic)	1026	691836	Rod-Push (Steel)(Intake) ----- Note ----- 691758 Rod-Push (Aluminum)(Exhaust)	1271	697261	Inverter
			1027	842921	Filter-Oil	1272	697260	Gasket-Inverter
			1028	808235	Adapter-Oil Filter ----- Note ----- 808033 Adapter-Oil Filter Used on Type No(s). 0068, 0132, 0133, 0135, 0143, 0145, 0150, 0165, 0172, 0173, 0174, 0184, 0186.	1323	699146	Receptacle-Powerlink
			1029	807323	Arm-Rocker	1330	272144	Repair Manual
			1036		Label-Emissions (Available from an Authorized Briggs & Stratton Service Dealer)	1344	841129	Cable-Choke
						1346	492031	Valve-Oil Drain Shut Off Used on Type No(s). 0150, 0152.
						1392	690939	Nut (Rewind Guard) Used on Type No(s). 0132, 0151, 0189.

★ Engine Gasket Set-Reference 358  
● Carburetor Overhaul Kit-Reference 121 or 121A

△ Valve Gasket Set-Reference 1095B